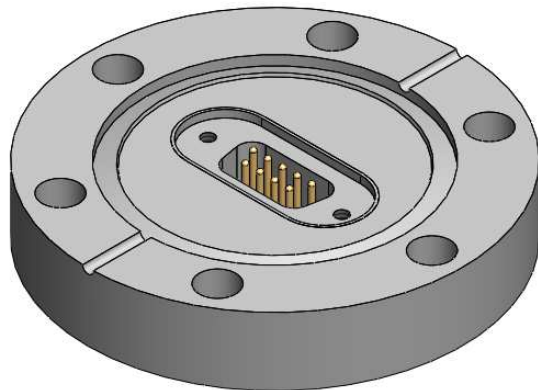
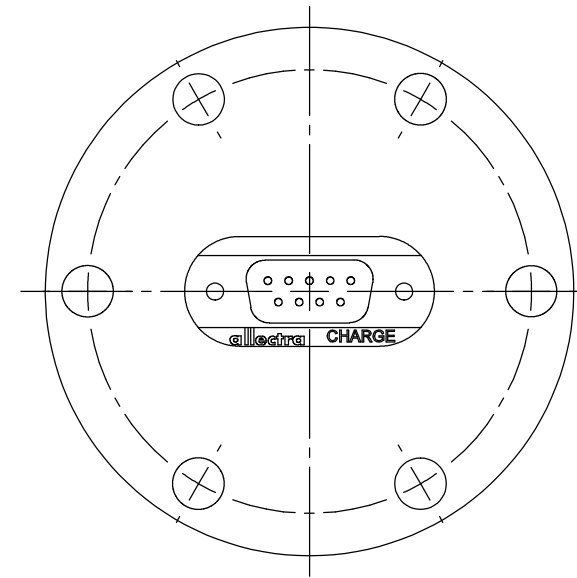
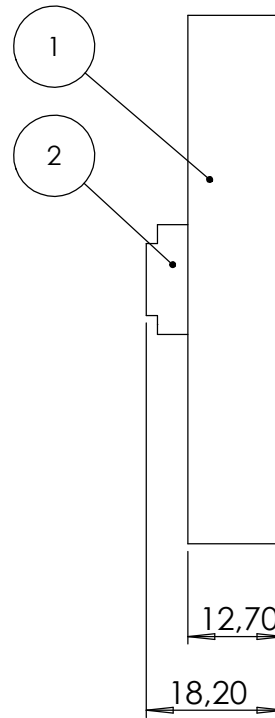
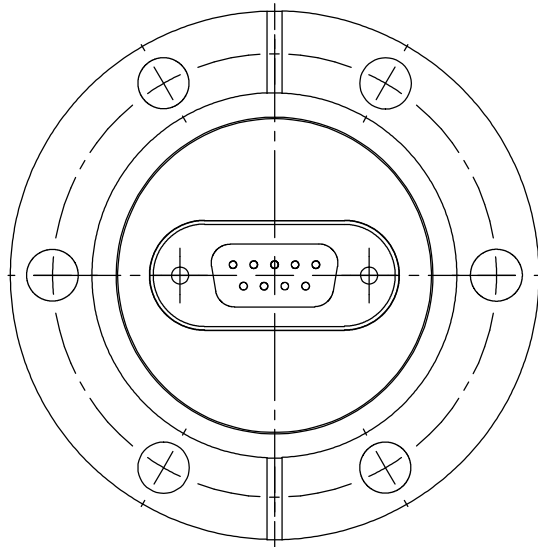


POS-NR.	DESCRIPTION	MATERIAL	QTY
1	modified flange DN40CF	1.4404 (316L)	1
2	9 pin SUB-D F/T	Stainless Steel	1



Bemerkungen (Remarks) HSG=38				Freimaßtoleranz (Standard Toleranz)		Maßstab (Scale)	Rauheit (Roughness)	europ.Projektion	
All informations provided in this drawing is considered to be confidential, proprietary and secret information. If is intended only for the use of individual or entity to whom it is sent. Individual or entity agrees to not disseminate or copy this information to anyone other than originally specified without the written consent Allectra GmbH.				Datum		1:1	Material, Standard Oberfläche (Treatment)	Kanten (edges)	
				Design	16.12.2014			JB	Gewicht (weight) g
				Drawn	25.02.2016	JB	1 of 9 pin SUB-D f/t on flange DN40 CF		Gewicht (weight) g
				Check			Page: 1 Pages: 1		361.86
							Zeichnungsnummer (Drawing No.)		Revision
							210-D09-C40		
Index	Modification	Datum	Name			Datei (File) C:\PDMStore\C:\PDMStore\		Format A4	