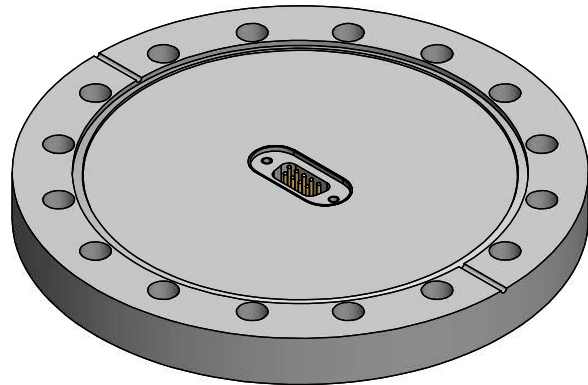
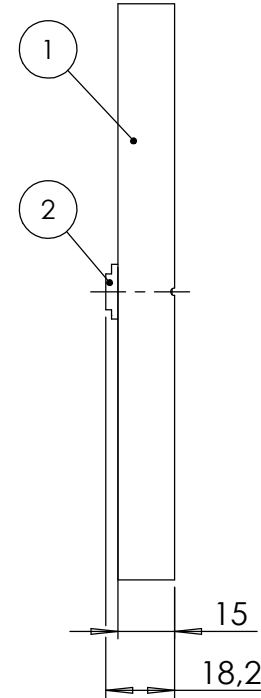
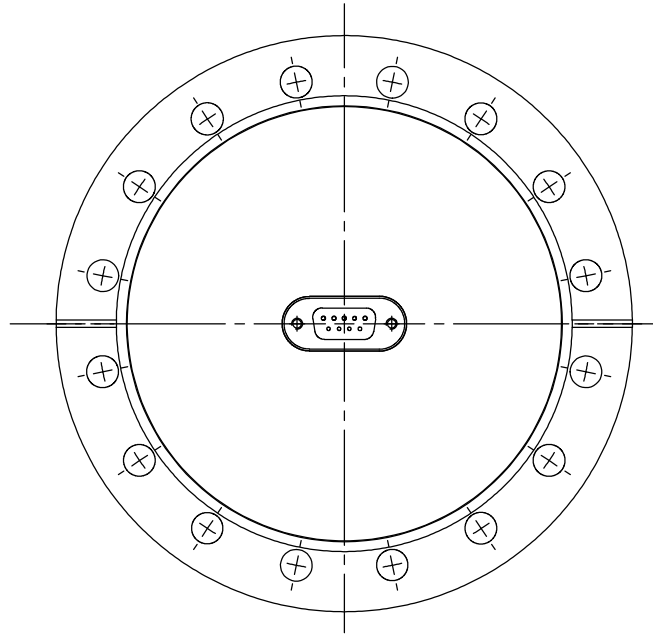


POS-NR.	DESCRIPTION	MATERIAL	QTY
1	modified flange DN100 CF	1.4404 (316L)	1
2	SUB-D 9 pin f/t	Stainless Steel	1



Bemerkungen (Remarks)				Freimaßtoleranz (Standard Toleranz)		Maßstab (Scale)	Rauheit (Roughness)	europ.Projektion		
All informations provided in this drawing is considered to be confidential, proprietary and secret information. If is intended only for the use of individual or entity to whom it is sent. Individual or entity agrees to not disseminate or copy this information to anyone other than originally specified without the written consent Alletra GmbH.						1:2				
								Material, Standard Oberfläche (Treatment)	Kanten (edges)	
								Bezeichnung (Title)	Gewicht (weight) g	
		Design	13.03.2020	JB	1 off 9 pin Sub-D f/t on flange DN100 CF			1964.00		
		Drawn	13.03.2020	JB				Page:	Pages:	
		Check						1	1	
						Zeichnungsnummer (Drawing No.)			Revision	
						210-D09-C100				
Index	Modification	Datum	Name		Datei (File) C:\PDMStore\C\PDMStore\			Format A4		